



MEYLE[®]
Products




	MEYLE No.	Reference No.
Control arm	116 050 0031/HD	4B3 407 151 C
	116 050 8228/HD	8D0 407 151 E
	116 050 0000/HD	8E0 407 151 M
	116 050 0043/HD	4F0 407 151
	116 050 0067/HD	4E0 407 151 L
Bushing	100 407 0047/HD	4D0 407 181 H
	100 407 0022/HD	4D0 407 182 G
	100 610 0003/HD	4E0 407 181 B
	100 610 0004/HD	4E0 407 182 C

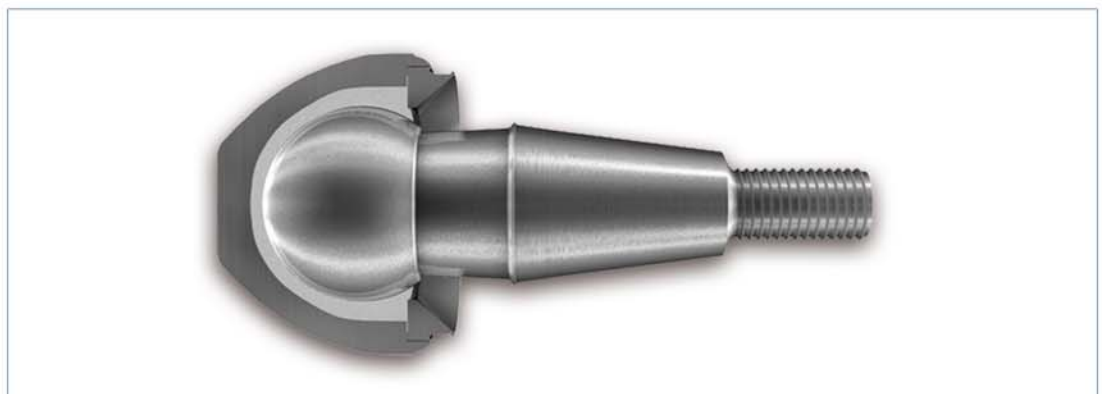
Control arm, wheel suspension, lower, front to fit VW Passat / Skoda Superb / Audi A4, A6, A8



Lufthansa Technik
Intercoat



 as OE Problem	 Solution 
High dynamic wear	<ul style="list-style-type: none"> • Extremely long-wearing plastic ball joint sockets (designed in cooperation with Lufthansa Technik Intercoat GmbH) • Strut mount bushing with inner sleeve with optimized profile • Control arm bushing with harder, volume-optimized elastomers
Effect	Advantage
<ul style="list-style-type: none"> • Noise • Impaired driving safety • Reduced driving comfort 	Longer service life paired with safety and driving comfort



MEYLE - Miles in Motion

© MEYLE Products® - Wulf Gaertner Autoparts AG • L15.2008
Merkurring 111 • 22143 Hamburg • Germany
japan@meyle.com • www.meyle.com